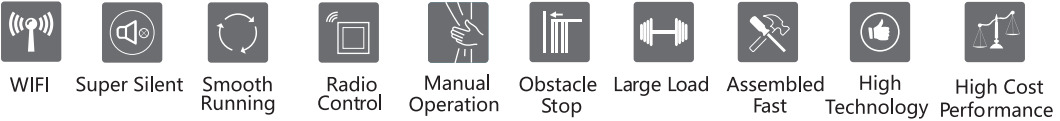




## USER MANUAL

## AC Curtain Motor

ORIGINALITY Q QUALITY  
curtain motor makes you easy life



## FEATURES

Intelligent curtain motor for every common home

Manual Operation: When powered on, the curtain could be pull by hand with 10cm. Then the curtain open or close automatically

Manual operation without power: Without power, the curtain could be controlled by hand

Obstacle stop function: the motor could stop when it meets obstacle ,in order to protect the system

Intermediate position: motor could have a intermediate position which is between close and open position

Automatical position: motor could remember the close and open position, users do not need to reset.

Multi-control: users can choose different ways to control, such as emitter or switch.

Freely assembling: DIY design and customized tracks.

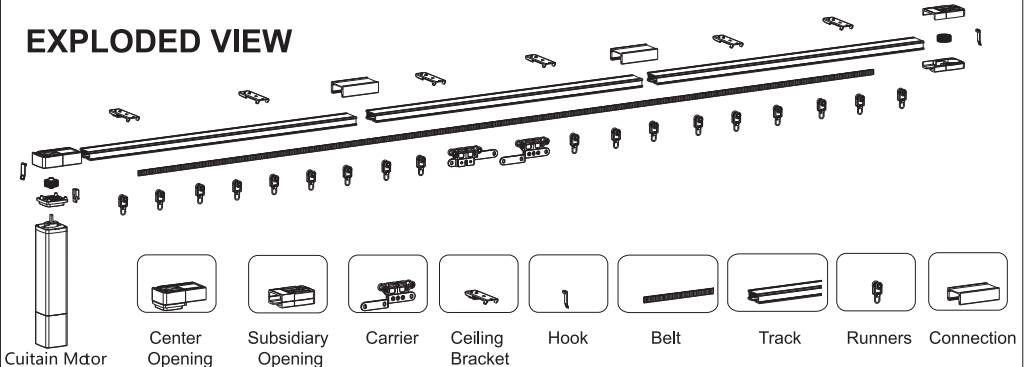
## MOTOR PARAMETER

| Motor Type | Rated Torque | Load  | Dimension   | Nominal Voltage | Nominal Consumption | IP   |
|------------|--------------|-------|-------------|-----------------|---------------------|------|
| CM100      | 1NM          | <40KG | 52*52*265mm | AC230V50HZ      | 60W                 | IP20 |
| CM100D     | 1.2NM        | <50KG | 52*52*265mm | AC230V50HZ      | 40W                 | IP20 |

## TRACK LOAD

| Length         | 3m   | 4m   | 5m   | 6m   | 7m   | 8m   |
|----------------|------|------|------|------|------|------|
| Curtain Weight | 50kg | 50kg | 50kg | 45kg | 45kg | 45kg |

## EXPLODED VIEW



Curtain Motor



Center Opening



Subsidiary Opening



Carrier



Ceiling Bracket



Hook



Belt



Track



Runners

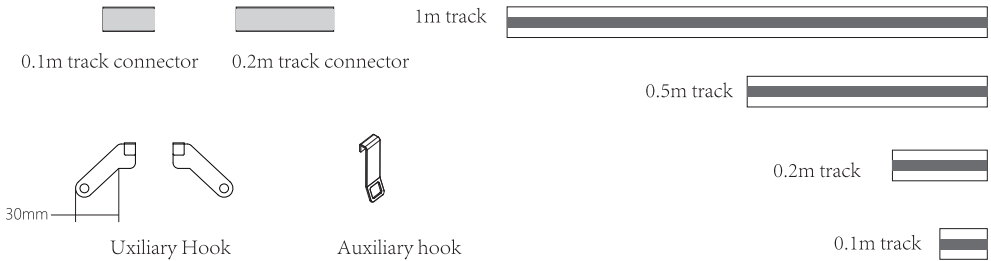


Connection

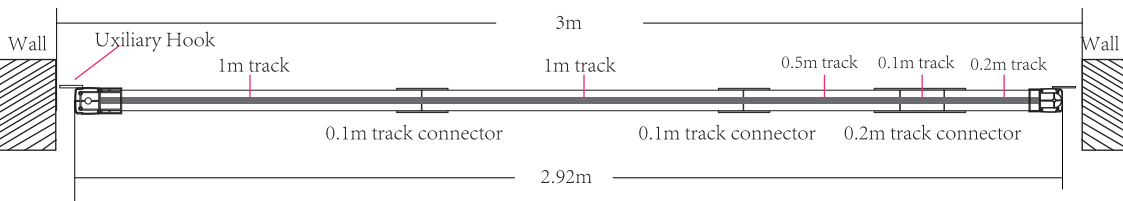
# The solutions of intelligent curtain model

|   | Total length | Length of track (mm) | Track connector (mm) | Length of adjustable track(mm) |     |     |                     |     | Suitable size |
|---|--------------|----------------------|----------------------|--------------------------------|-----|-----|---------------------|-----|---------------|
|   |              |                      |                      | Length of track(mm)            |     |     | Track connector(mm) |     |               |
|   |              |                      |                      | 1000                           | 100 | 500 | 200                 | 100 |               |
| 1 | 2.2m         | 1                    | 1                    | 1                              | 2   | 1   | 1                   | 1   | < 2.2 m       |
| 2 | 3.2m         | 2                    | 2                    | 1                              | 2   | 1   | 1                   | 1   | 2.2 m-3.2 m   |
| 3 | 4.2m         | 3                    | 3                    | 1                              | 2   | 1   | 1                   | 1   | 3.2 m-4.2 m   |
| 4 | 5.2m         | 4                    | 4                    | 1                              | 2   | 1   | 1                   | 1   | 4.2 m-5.2 m   |
| 5 | 6.2m         | 5                    | 5                    | 1                              | 2   | 1   | 1                   | 1   | 5.2 m-6.2 m   |
| 6 | 7.2m         | 6                    | 6                    | 1                              | 2   | 1   | 1                   | 1   | 6.2 m-7.2 m   |
| 7 | 8.2m         | 7                    | 7                    | 1                              | 2   | 1   | 1                   | 1   | 7.2 m-8.2 m   |

Remarks: 1.The tracks with length of 500mm、200mm、100mm are adjustable tracks, 200mm、100mm track connectors are connecting pieces for adjustable track, please take notice notice that the shortest track should be mounted on the head of the curtain tracks (closest position to the wall).  
 2.Optional accessories:Side mounting bracket, 90 degree angle



Example:track connect solution

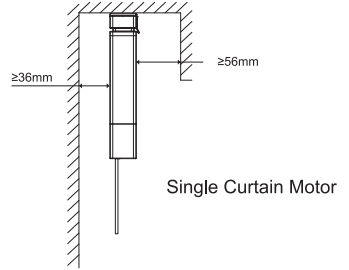
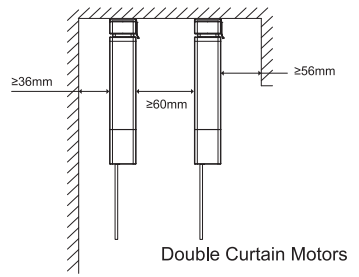
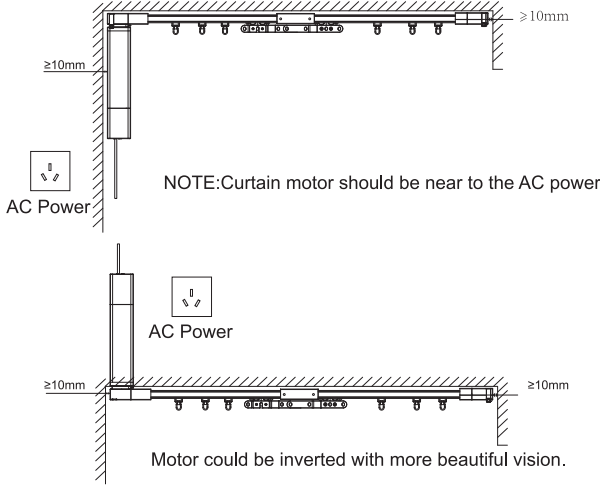


The distance between the track and the wall is at least blank 10mm

Pay attention to the solution and the position of 0.1m track connector and 0.2m track connector when you use them  
 Center opening +Subsidiary opening=0.12m(length)

The distance between the track and the wall is at least blank 10mm

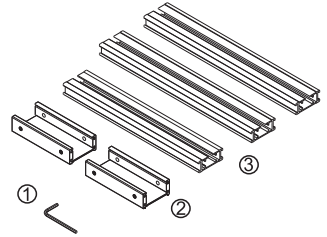
# Curtain Track Dimension & Measurement



## Track Installation Steps

Three sections as an example

- ① Allen wrench
- ② Connections
- ③ Tracks

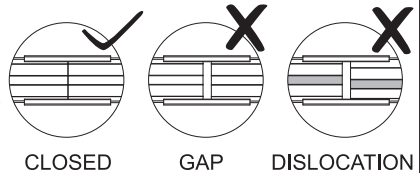


① Put the tracks and connections on flat ground

②

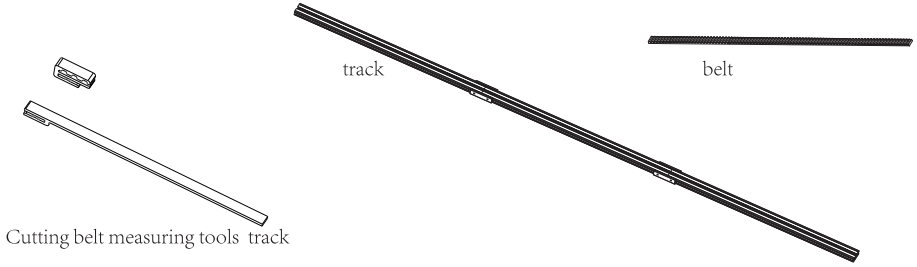
- ① Push the tracks into the connections.
- ② Let the tracks closed in the connection, then tighten the screws through Allen wrench.

NOTE: through tightening the screws, users can adjust the gap of two tracks. No gap, no dislocation.

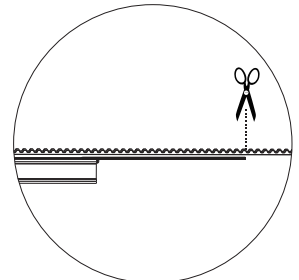
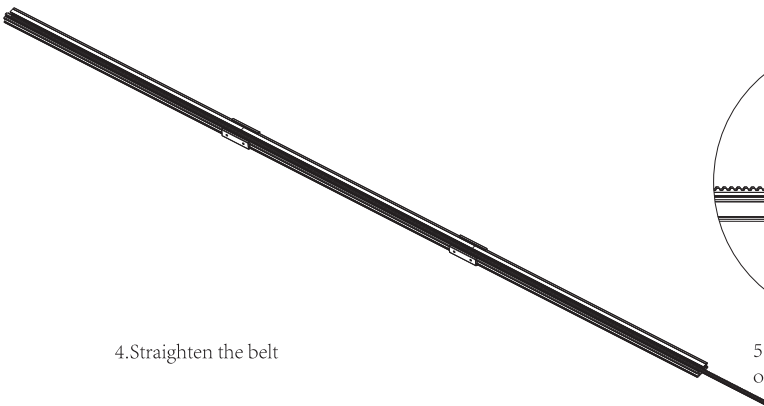
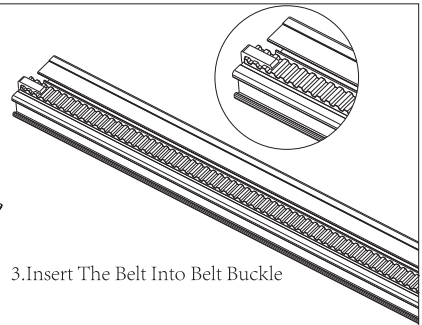
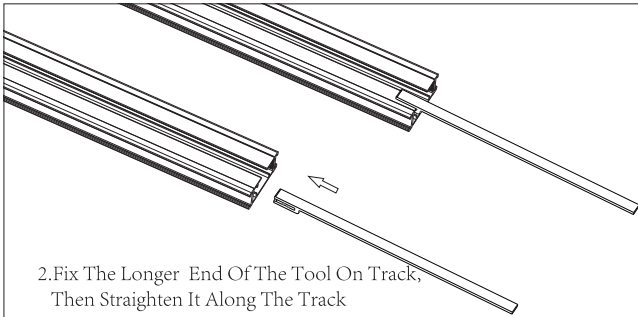
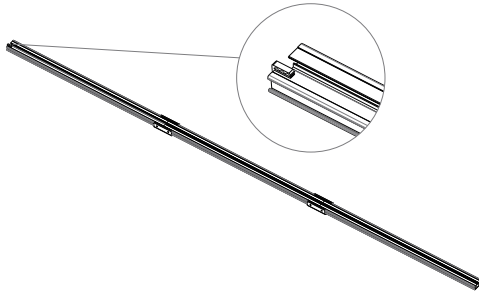
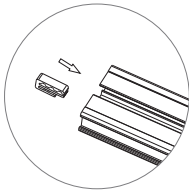


# Cutting belt measuring tools instruction manual

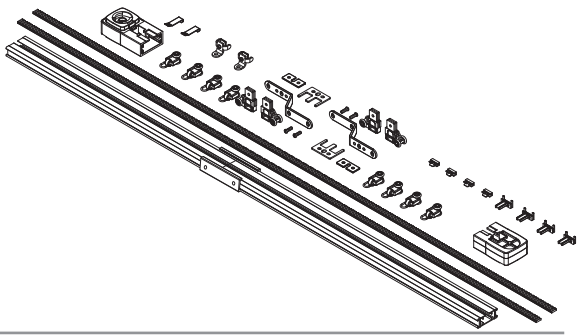
Remark: Only applicable double direction opening belt cutting  
Double opening direction track needs making two equal length belts in the same way.



Take the tail set fixed at 1 end

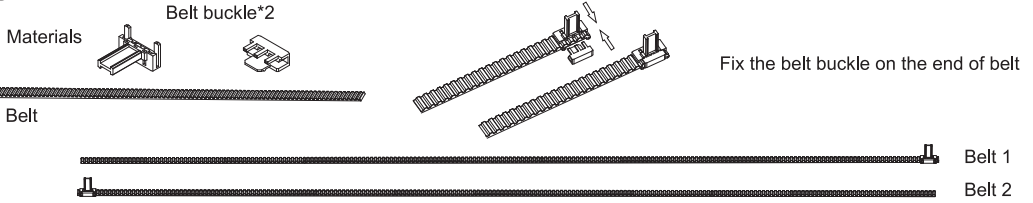


# Double-side Open Track Installation Steps

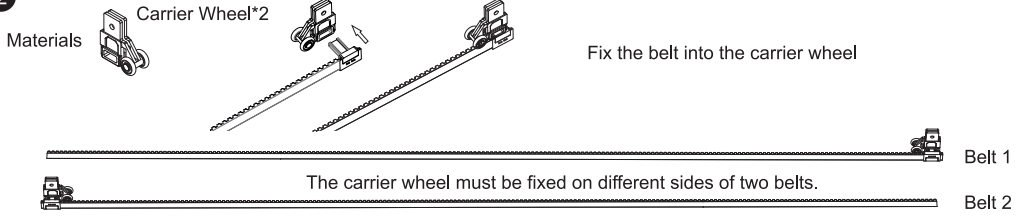


- \*Use cutting belt measuring tools to cut belt
- Customer needs 2 belt in same length.
- \*Runners: 8pcs per meter; integer forward
- \*2pcs hooks
- \*2pcs carriers for Double-side Open
- 2 sections track as an sample

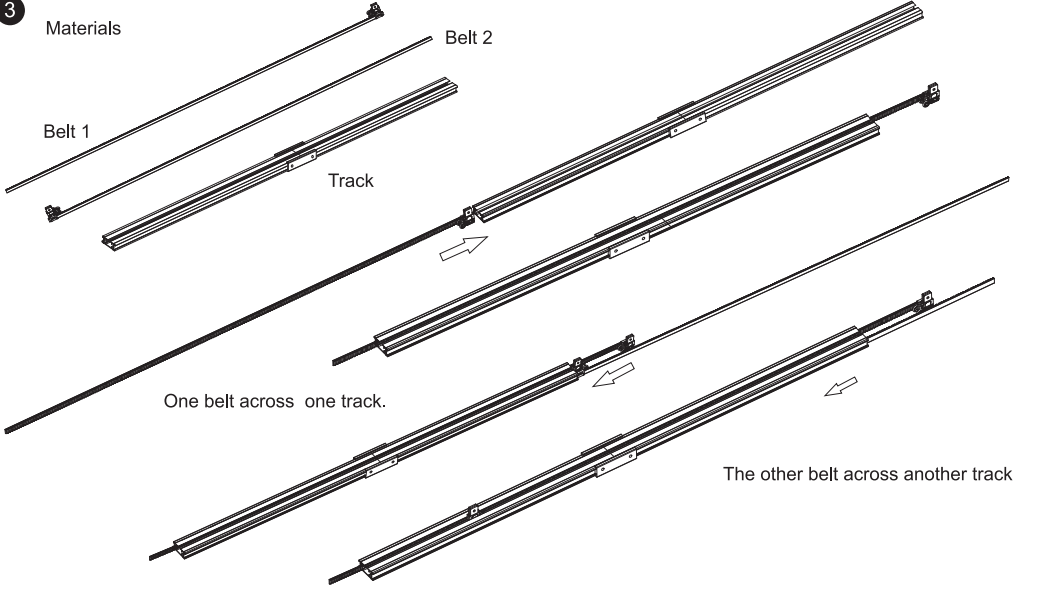
1



2



3

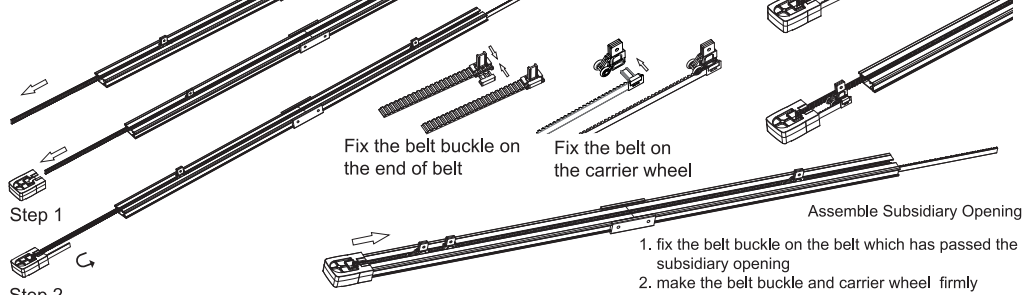


**4** Materials



Subsidiary opening Belt buckle Carrier wheel opening

Pull out one belt from the track



Step 1

Step 2

The belt across the subsidiary opening

Fix the belt buckle on the end of belt

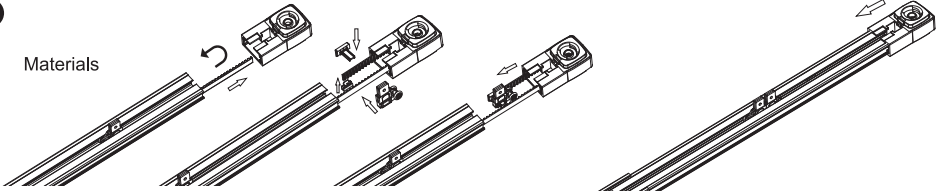
Fix the belt on the carrier wheel

Assemble Subsidiary Opening

1. fix the belt buckle on the belt which has passed the subsidiary opening
2. make the belt buckle and carrier wheel firmly
3. pass the carrier wheel through the track, and push the track in subsidiary opening
4. make the subsidiary opening and track firmly

**5**

Materials

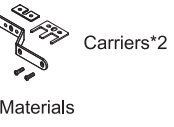


Center opening Carrier wheel Belt buckle

Assemble Center Opening

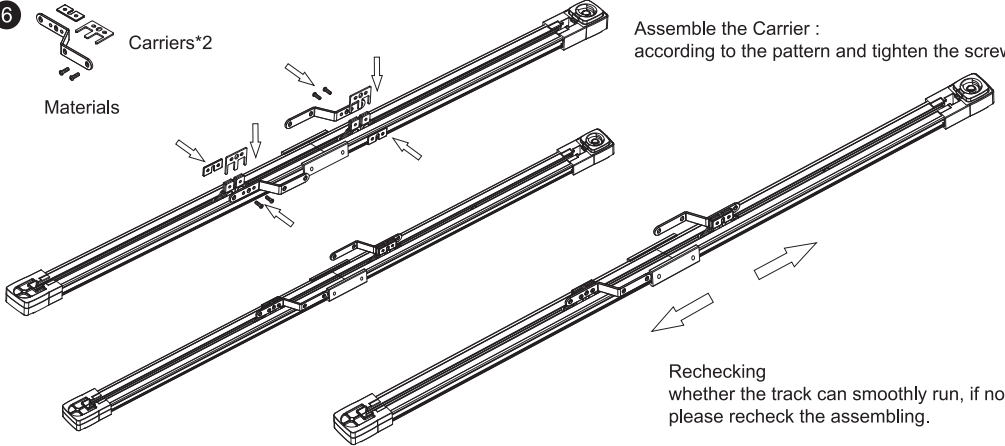
1. the belt across the center opening
2. fix the belt buckle on the end of belt
3. pass the carrier wheel through the track
4. make the center opening and track firmly

**6**



Materials

Carriers\*2



Assemble the Carrier : according to the pattern and tighten the screws.

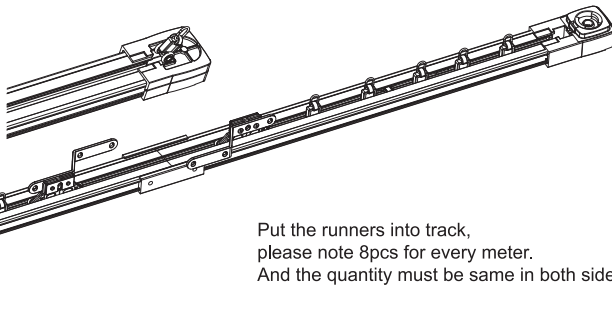
Rechecking whether the track can smoothly run, if not , please recheck the assembling.

7

Materials



Runners



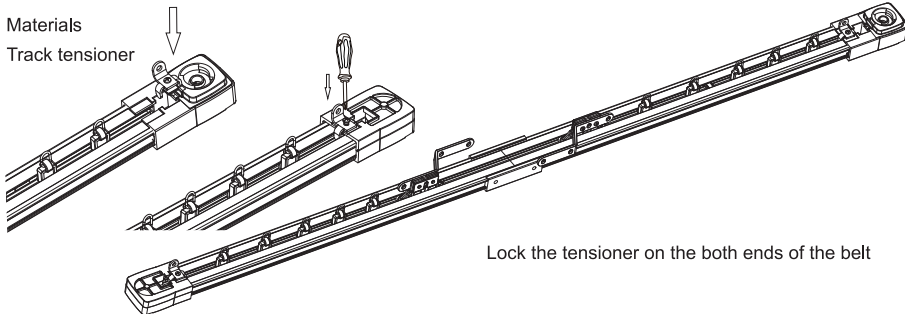
Put the runners into track,  
please note 8pcs for every meter.  
And the quantity must be same in both side.

8

Materials



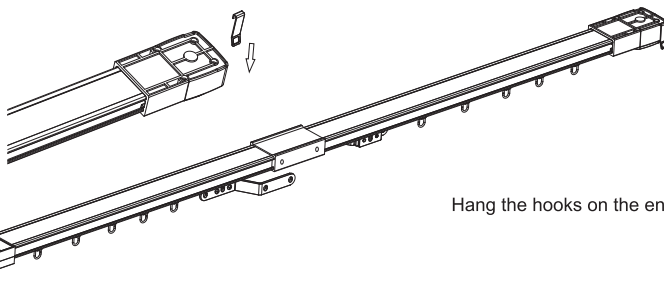
Track tensioner



Lock the tensioner on the both ends of the belt

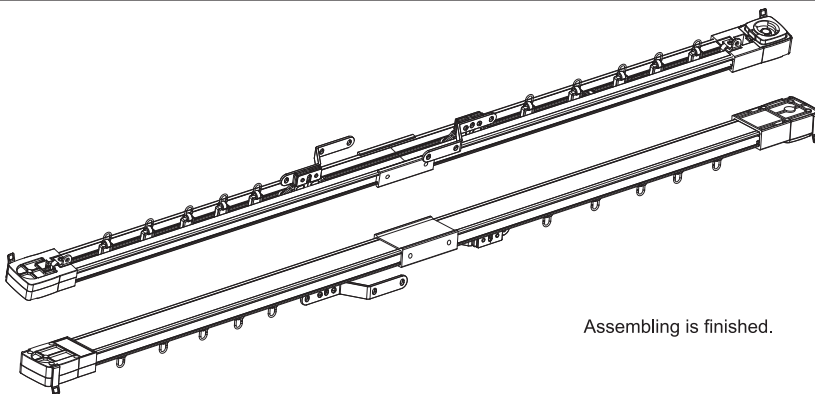
9

Hooks\*2

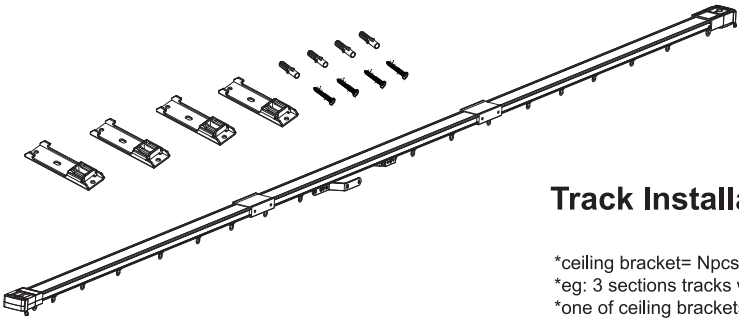


Hang the hooks on the ends of the track

10



Assembling is finished.



## Track Installation Steps

- \*ceiling bracket= Npcs section+1pcs
- \*eg: 3 sections tracks with 4 ceiling brackets
- \*one of ceiling brackets must be near to connection.
- \*two of ceiling brackets should be close to both opening.
- 3 sections track as an sample

**1** Location of Ceiling bracket

Materials

Ceiling bracket\*4

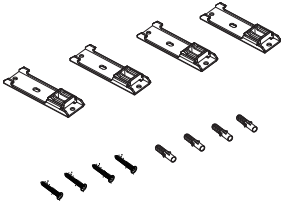
Measuring the distance in advance

NOTE: One of the ceiling bracket must be near to the connection

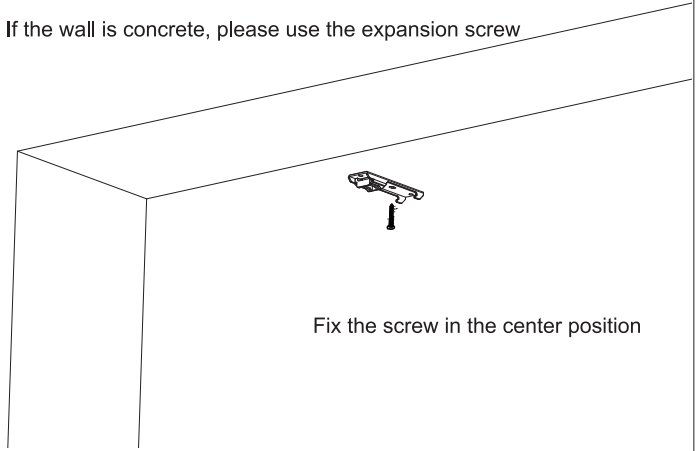


## 2 Fix the Ceiling bracket

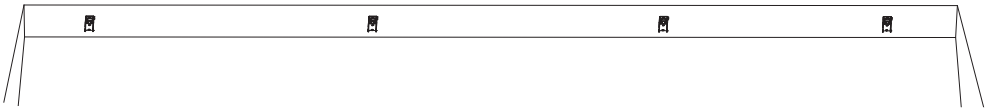
Ceiling bracket\*4 & screws



If the wall is concrete, please use the expansion screw



Fix the screw in the center position

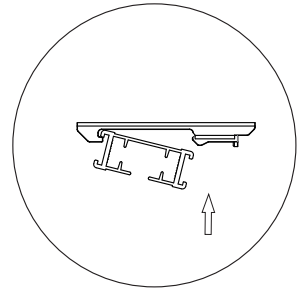
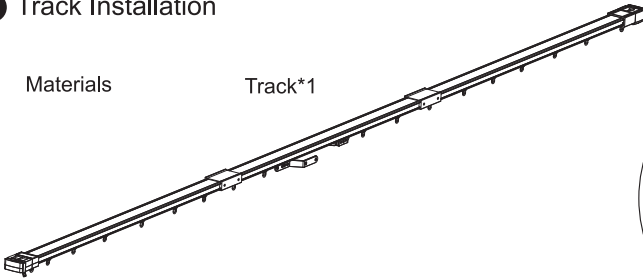


After determine the location, mounting the ceiling bracket

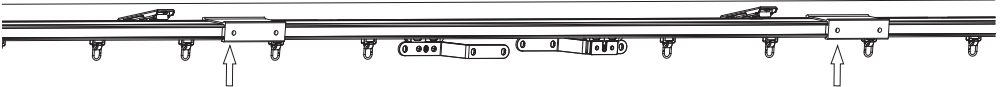
## 3 Track Installation

Materials

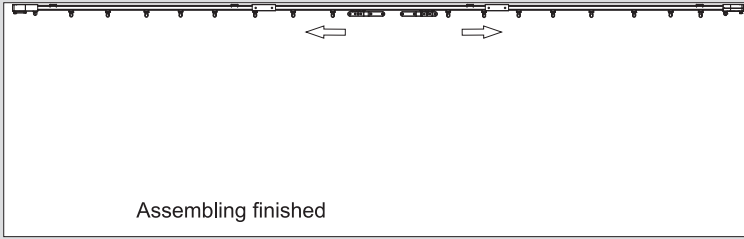
Track\*1



Insert one side of the track, then push and make the track fully go into the ceiling bracket



## 4 TEST



### NOTE:

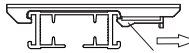
1. recheck the carrier, whether the track can smoothly run, if not ,please recheck the assembling.
2. recheck the connections,keep the connections and track close.
3. the hook should face to the users,not to the wall.

## Disassembly of track

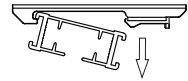
Follow the steps



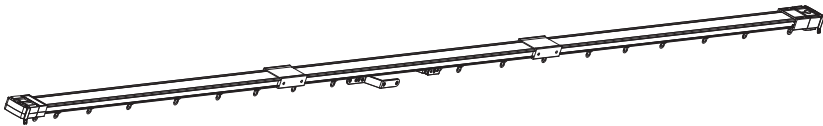
Original state



Slip the lock

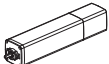


Take off the track



## MOTOR

### 1 Materials

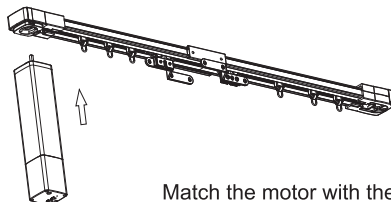
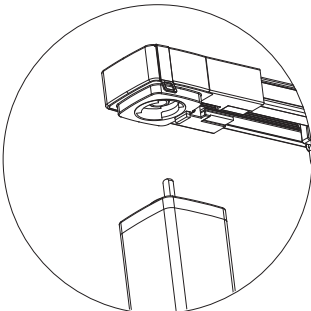
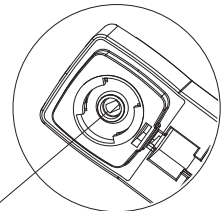


Motor



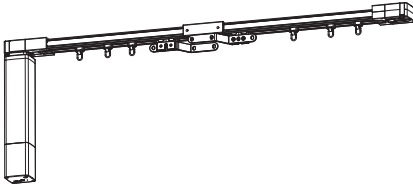
Track

Shaft & spigot



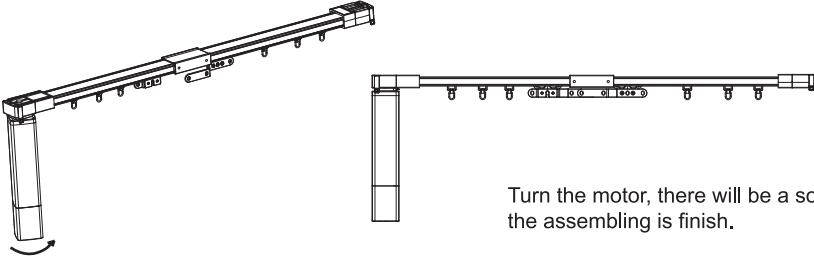
Match the motor with the spigot of the center opening

2



Complete matching

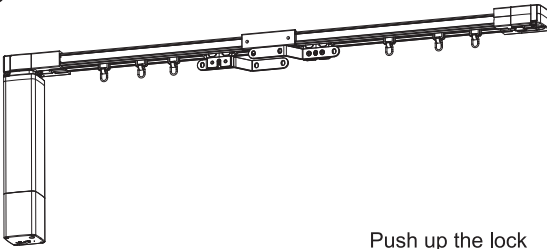
3



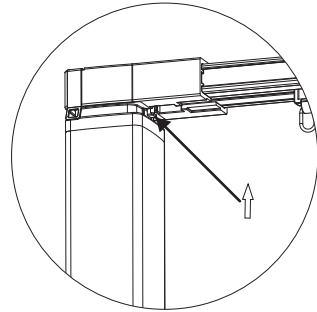
Turn the motor, there will be a sound of lock. the assembling is finish.

## Disassembly of motor

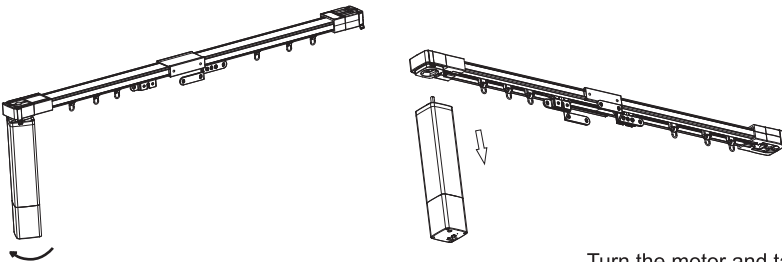
1



Push up the lock

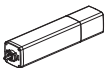


2

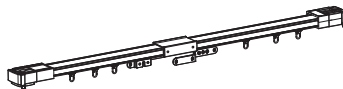


Turn the motor and take it off.

3



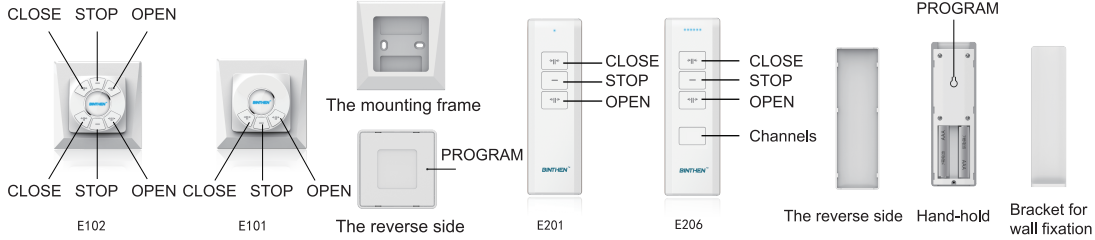
Motor



Track

Disassembly is finished.

# Emitters



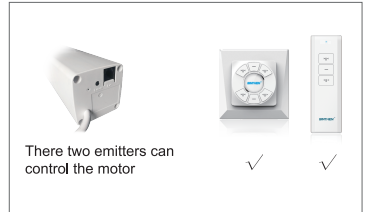
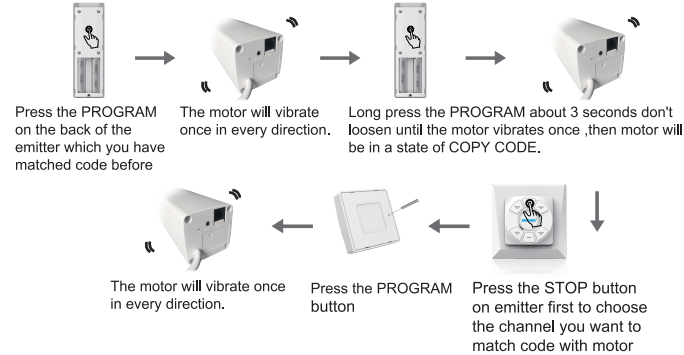
## Method 1: Short press PROGRAM



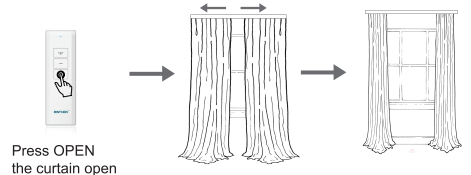
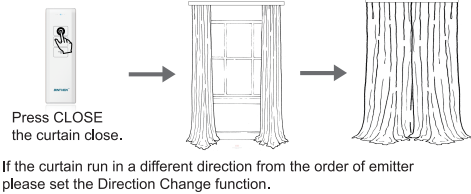
## Code Matching

When the motor is in a state of Matching code, there are 10 seconds learning time, after 10 seconds, the motor will exit the process of matching code (which means you have to finish matching code steps within 10 seconds, or you have to start from the beginning), the indicator light extinguishes after 3 seconds.

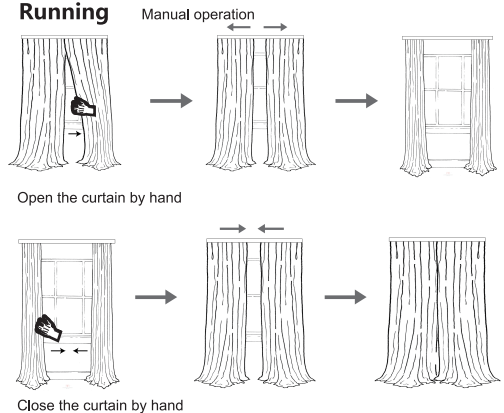
## Method 2: copy code



## Control the curtain



## Running



## Close the Manual operation Function

Press the STOP & OPEN together till the motor vibrate. The Manual operation function is closed. Users pull the curtain by hand, but motor can not run. Repeat this operation, this function will restart.

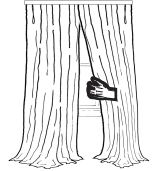


Press the STOP & OPEN together, don't loosen until the motor vibrates once.

The motor will vibrate once in every direction

## Open the Manual operation Function

Press the STOP & OPEN together till the motor vibrate. The Manual operation function is closed. User can pull the curtain by hand, and the motor can run also. Repeat this operation, this function will restart.



Press the STOP & OPEN together, don't loosen until the motor vibrates once.

Manual operation Function is opened

## Setting the position

When powered on, the curtain will run without any setting. But motor will calculate the length in order to set the open&close position. And new position will replace the old one.



Short press PROGRAM

The motor will vibrate once in every direction

Press OPEN button

The motor vibrate once again.

Open position setting is finished.

The operation is same for setting the position of another direction

If the distance of two positions is less than 30cm, the setting is failed.

## Delete the position



Short press PROGRAM

The motor will vibrate once in every direction

Press STOP button

Press OPEN button

The motor vibrate once again.

2. Long press the MATCH button, the light will glitter 3 times. Then the motor will vibrate once, all the positions are deleted.

The method is same for deleting the position in another direction



Deleting is finished.

Long press MATCH button

The light glitters 3 times

The motor vibrates once again.

3, Repeat the electricity

## Intermediate position



Short press  
PROGRAM



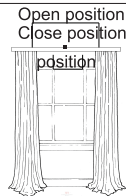
The motor will vibrate  
once in every direction



Short press STOP 3 times



The motor vibrate once  
in every direction.  
The Intermediate position is finished.



The Motor Could Only Remember The Latest Intermediate Position

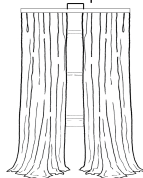
## Start the Intermediate position

Long press STOP within 3 seconds,  
the motor will run to the intermediate position  
automatically.



The motor will run to  
the intermediate position  
automatically

Intermediate position



Long press STOP over 3 seconds

## Delete Intermediate position

Method 1: powered on again, all positions are deleted.  
Method 2: long press MATCH button

## Direction Change

When the motor run in different direction which is not same as the emitter order, user could operate as follows:



Direction Change  
is finished

Long press the OPEN & CLOSE together until  
the motor vibrates once.

Short press STOP  
3 times quickly

The motor will vibrate  
once in every direction

## Delete the current emitter



Deleting the current  
emitter is finished



Long press the OPEN & CLOSE together  
until the motor vibrates once.

Press CLOSE  
3 times

The motor will vibrate  
once in every direction

The current emitter  
can not control the motor

## Delete all emitters

Press OPEN and CLOSE together, the motor will vibrate. Then press OPEN 3 times, the motor vibrate again. Delete all emitters.



Delete all the emitters



Long press the OPEN & CLOSE together  
until the motor vibrates once.

Press OPEN  
3 times

The motor will vibrate  
once in every direction

All emitters can not control  
the motor

**Factory reset** After factory reset, the motor will lose all positions. At this time, the first manual function will be the first choice .

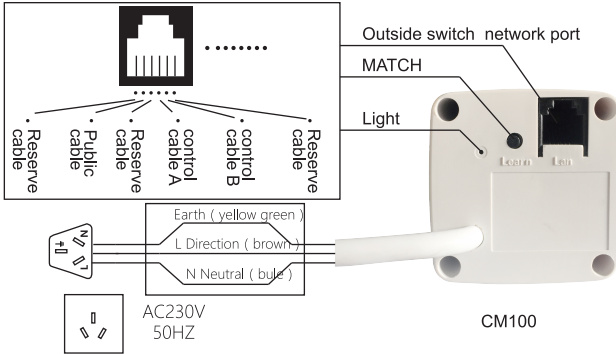


All positions were lost and codes were deleted . At this time, the first manual function will be the first choice .

**NOTE:**

1. When the motor stop running or finish the setting, the light will keep bright in 3 seconds.
2. after 4mins running , the motor will stop to protect.
3. if the motor is too hot, it will stop to protect. With the temperature dropping, the motor will restart.

**RJ116P6C Connection**



Manual switch: RJ11)  
note: manual switch is the default setting.



Press STOP and CLOSE together



The motor vibrate once in every direction. the manual switch function is started.

Through this operation, motor will change the following manual switches in turn.

**First Way**

Control cable A  K1

Control cable B  K2

Public cable

The switch is open when the motor is stop

Close K1 switch, and open K2 , curtains with open, and the motor stops running

Open K1 and K2 switch, the motor will stop running.

Open K1 switch, and close K2, the motor will stop (start) running.

Open K1 and K2 switch, the motor stops running.

**Second Way**

Control cable A  K1

Control cable B  K2

Public cable

The switch is open when the motor is stop

Close K1 switch and open K2, the curtains open and the motor stops running.

Open K1 and K2, the motor keeps running.

Close K1, and open K2 again, the motor stops running.

Open K1 and K2 again, the motor stops running.

Open K1 and close K2, the motor stops running.

Open K1 and K2, the motor keeps running.

Open K1, and close K2 again, the motor stops running.

Open K1 and K2, the motor stops running.

**The Third Way**

Control cable A  K1

Public cable  ①

Or

Control cable B  K2

Public cable  ②

① and ② have the same function, take ① as the example

When the motor stops running and K1 is opening, users close K1, the motor will stop running.

Open K1, motor keeps running. Close K1, motor will stop running.

Open K1, motor stops running. Close K1, the motor stops or starts

Open K1, motor keeps running. Close K1, motor stops. Open K1, motor stops. Steps as a circle

**PROBLEM & SOLUTION**

- \* **Not smoothly running:** adjust the screws of the connections.
- \* **Motor stops running:** check the electricity and voltage
- \* **Emitter :** check the battery and code matching.
- \* **temperature protection:** the AC motor will stop with long-time running. But manual operation function is still available , also motor will remember the position.

# WARRANTY CARD

Provide warranty depending on this card. please keep it.

## \*User Profiles

|                             |  |                |  |     |  |
|-----------------------------|--|----------------|--|-----|--|
| User Name                   |  | Gender         |  | Age |  |
| Contact Address             |  |                |  |     |  |
| Contact Number              |  | Post Code      |  |     |  |
| Purchase Time & Site        |  |                |  |     |  |
| Purchase Price              |  | Sales Order    |  |     |  |
| Description & Specification |  | Motor Number   |  |     |  |
| Distributor signature       |  | User Signature |  |     |  |

## \*Warranty Clauses:

- Users could replace the same type of commodity under the circumstances of there are performance breakdown but the commodity itself and outer packaging is intact ,without scratches and the period should be in three months from the date of goods are sold.(After inspection ,the breakdown should not due to artificial damage.).
- The warranty of motor is 3 years at the moment it is sold ,and lifelong maintenance.Accessories are not included.
- The warranty is only useful in the condition of normal use.
- All artificial damage ,including disassembly oneself, tear down the seal,improper operation are not included in warranty.
- Please provide this card when do WARRANTY ,our company has the right to refuse user' s warranty service without providing this card or tamper the card.

**BINTHEN™**