

User Manual POWCT(EN)

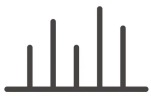


Smart Power Meter

User Manual V1.0

Introduction

A Wi-Fi product that combines smart switch modification, antenna, and current transformer. With the current transformer, you can monitor the power consumption of any household appliance, room, etc.



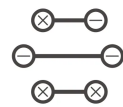
Energy monitoring



Overload protection



Energy saving



Power failure memory



Smart timer



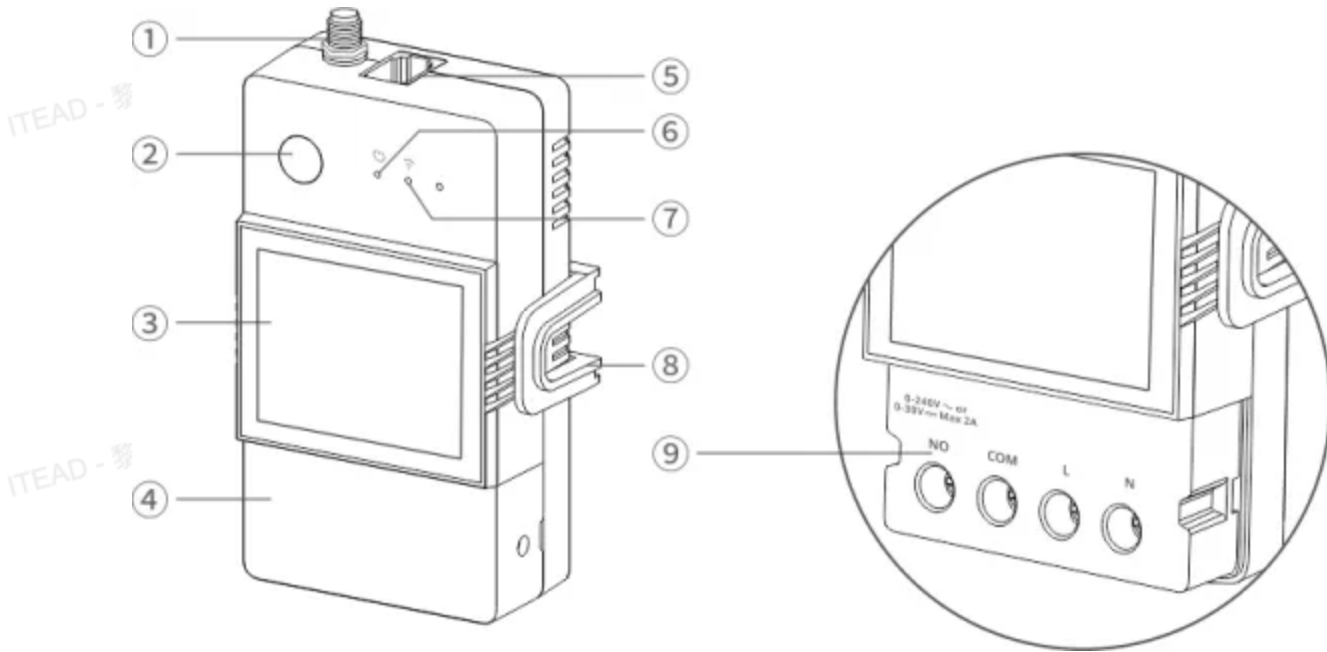
History record



LAN control



Easy setup



<p>① Antenna interface</p>	<p>② Button</p> <ul style="list-style-type: none"> • Single press: Turn on/off the smart device. • Press and hold for 5 seconds: Device enters the pairing mode. (Pairing time 10 minutes)
<p>③ LED screen</p> <ul style="list-style-type: none"> • When the measured power value exceeds 10,000W, the display screen will show the numerical value in scientific notation. For example, "10E3" represents 10kW, and "24E3" represents 24kW. 	<p>④ Protective cover</p>
<p>⑤ Transformer interface</p>	<p>⑥ Power LED indicator (Red)</p> <ul style="list-style-type: none"> • Light on: Device is on. • Light off: Device is off.

⑦ Wi-Fi LED indicator (Blue)

- Keeps on: Online
- Flashes two short and one long: Device is in pairing mode.
- Flashes once: Fail to connect to router
- Flashes twice: Connected to router but fail to connect to server
- Flashes three times: Firmware updating

⑧ Mounting base

⑨ Wiring terminals (Visible after removing the protective cover)

Compatible Voice Assistants



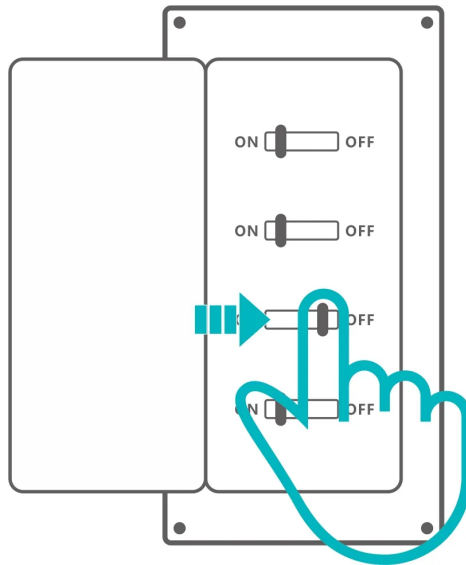
Specification

Model	POWCT
MCU	ESP32
Rating	100–240V~ 50/60Hz 2W
Wireless Connectivity	Wi-Fi IEEE 802.11 b/g/n 2.4GHz
Antenna interface type	SMA
Transformer interface type	RJ9
Transformer current detection range	0–100A
Net weight	120g (Accessories not included)
Product dimension	98x54x31mm
Color	White
Casing material	PC

Applicable place	Indoor
Working temperature	-40°C~50°C
Working humidity	5%~95% RH, non-condensing
Certification	CE/FCC/RoHS
Executive standard	EN IEC 61010-2-030
Measurement Category	CAT II 0-100A 300V~ MAX

Installation

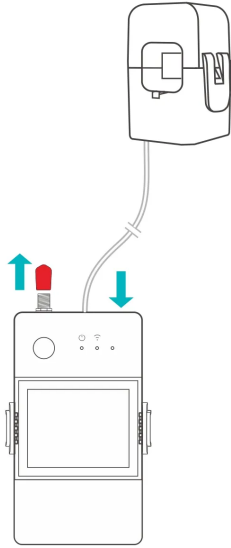
1. Power off



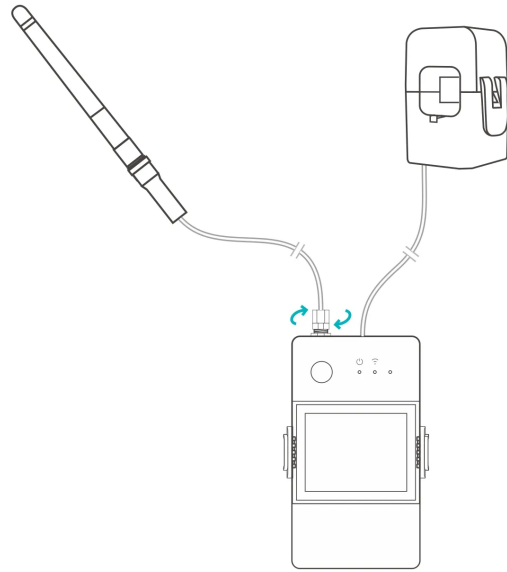
Warning: Please install and maintain the device by a professional electrician. To avoid electric shock hazard, do not operate any connection or contact the terminal connector while the device is powered on!

2. Install the current transformer and antenna

ITE



>



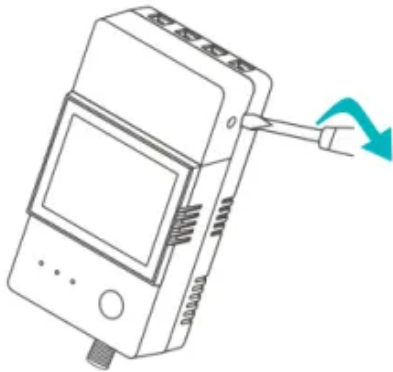
3. Wiring instruction

3-1 Remove protective cover.

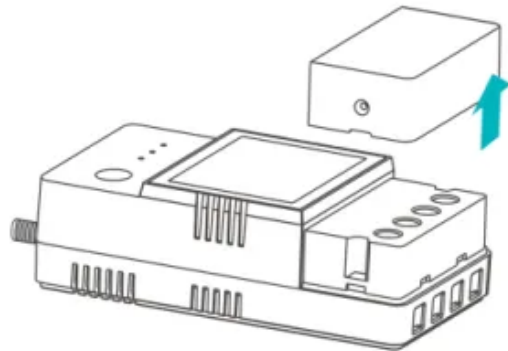
2602432)

2602432)

ITE



>



ITE

3-2 Paired with a current transformer to monitor the power consumption of household appliances.

ITEAD - 黎业军(2602432)

ITEAD - 黎业军(2602432)

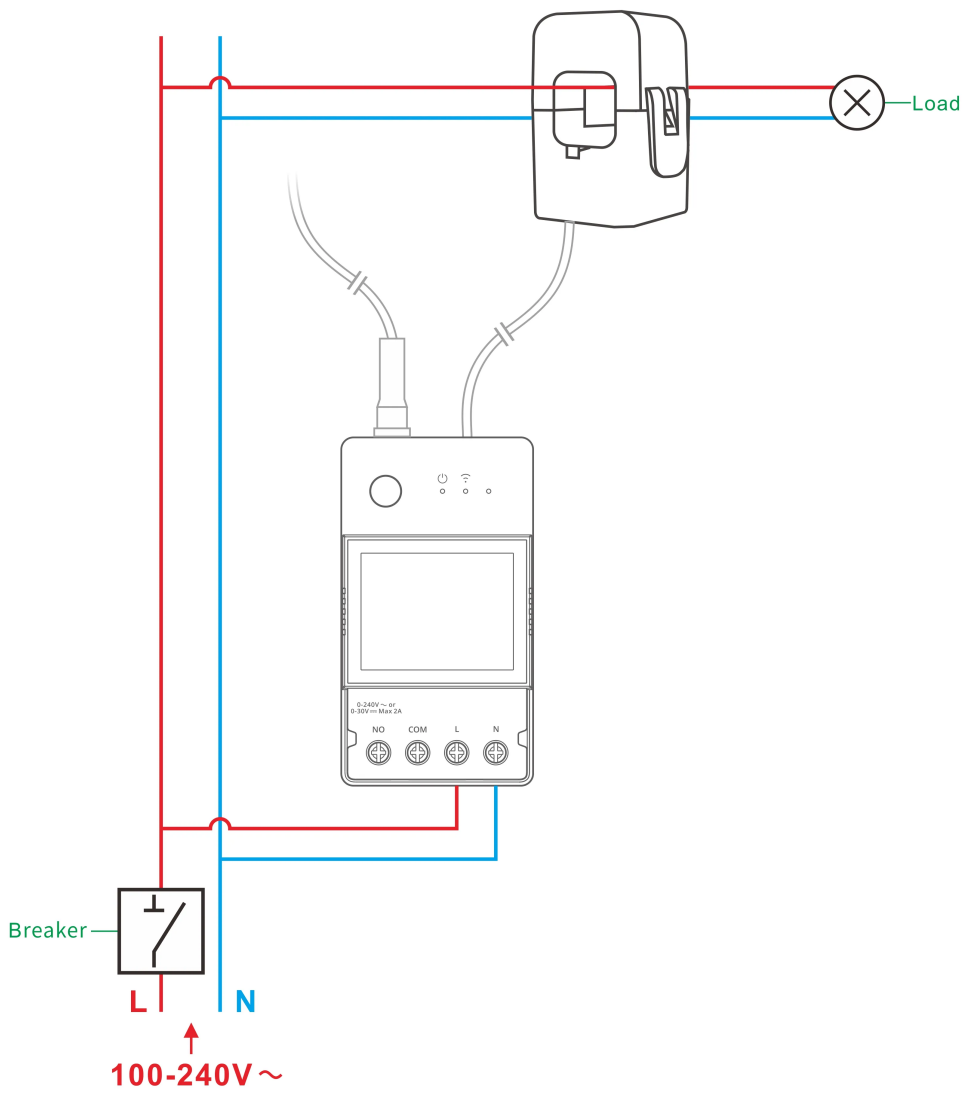
2602432)

2602432)

ITEAD - 黎业军

ITEAD - 黎业军

ITEAD - 黎业军



ITEAD - 黎业军

ITEAD - 黎业军

3-3 Paired with a current transformer and a contactor to monitor the power consumption of household appliances and can also control the power switch.

ITEAD - 黎业军(2602432)

ITEAD - 黎业军(2602432)

ITEAD - 黎业军(2602432)

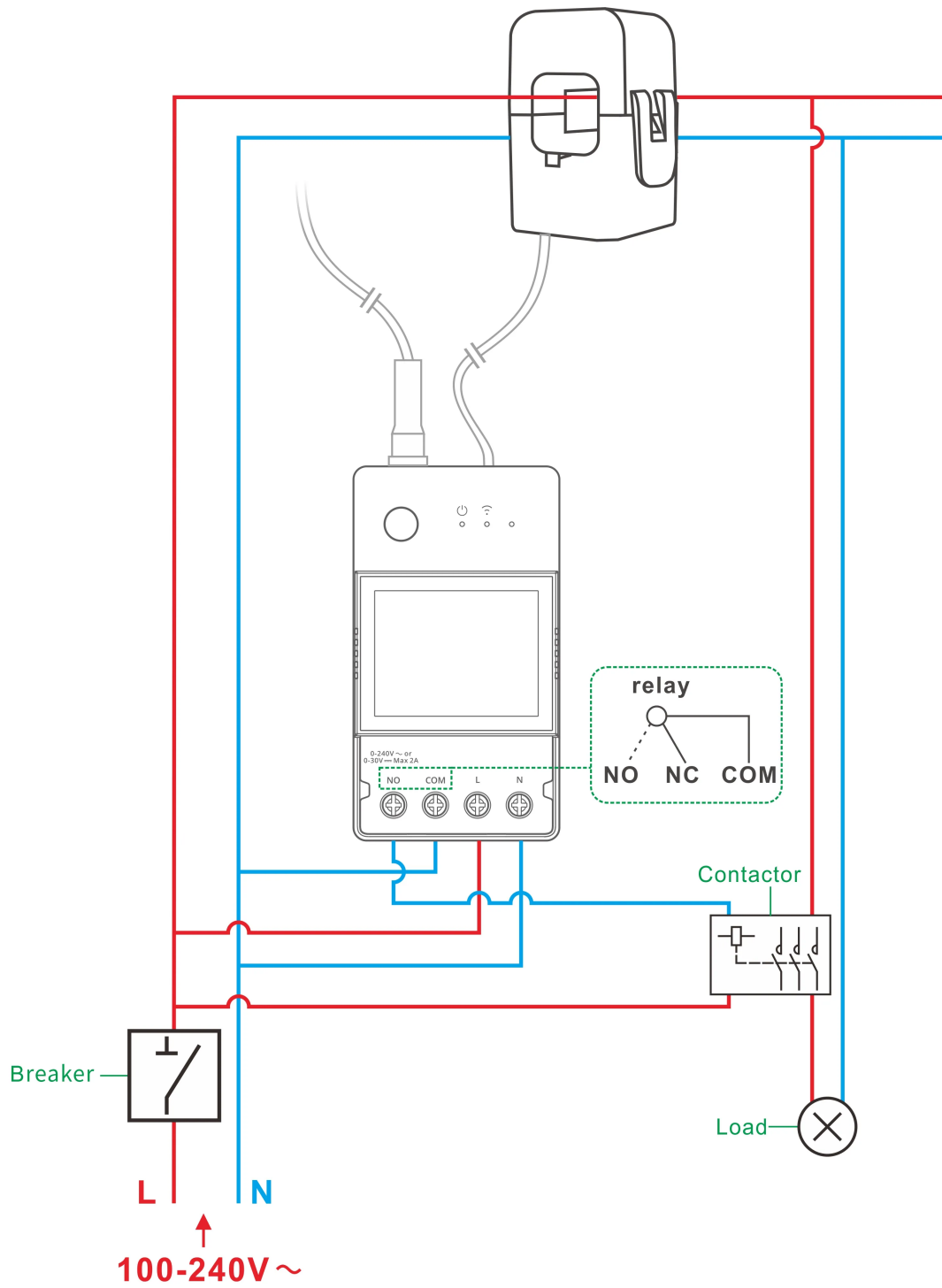
ITEAD - 黎业军(2602432)

ITEAD - 黎

ITEAD - 黎

ITEAD - 黎

ITEAD - 黎

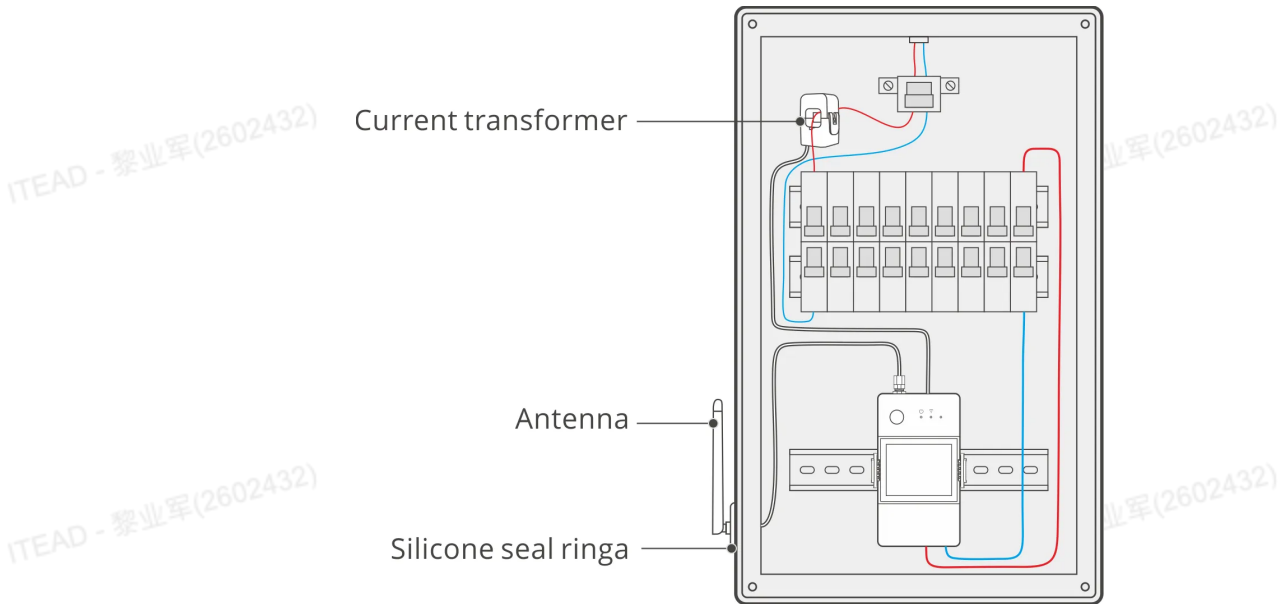


* Make sure all wires are connected correctly.

4. Installation

ITEAD - 黎业军(2602432)

ITEAD - 黎业军(2602432)



Mount the device on the guide rail inside the distribution box. If the box is metal, it is recommended to place the antenna externally as shown in the diagram.

* The wiring layout of the antenna and current transformer should avoid crossing high-voltage busbars and approaching sharp edges and corners.

* A suitable circuit-breaker must be included in the installation when install the device. The circuit-breaker is used as disconnect device, it must be suitably located and easily reached.

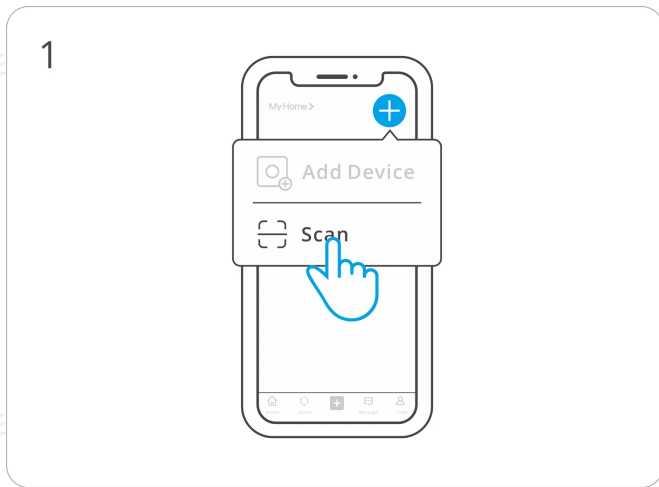
Add device

1.Download the“eWeLink”App

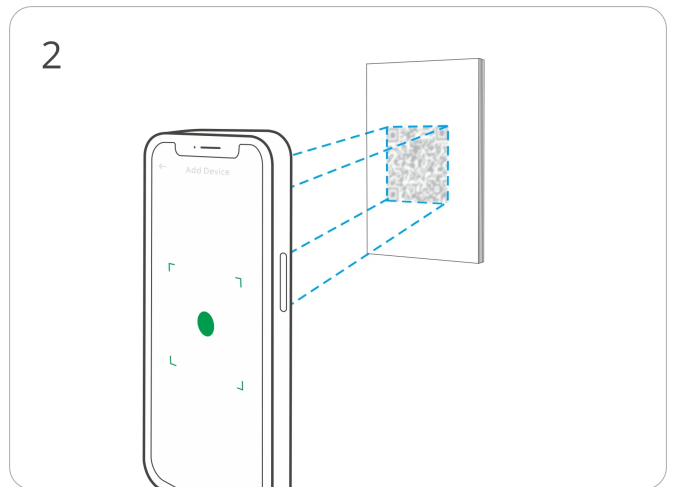
Please download the "eWeLink" App from [Google Play Store](#) or [Apple App Store](#).



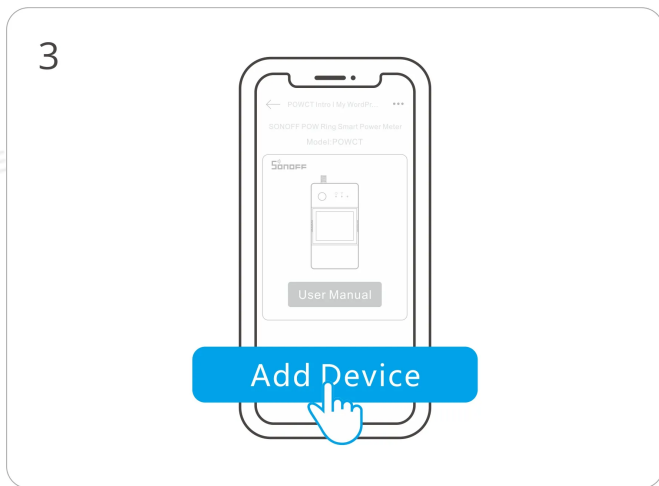
2.Add device



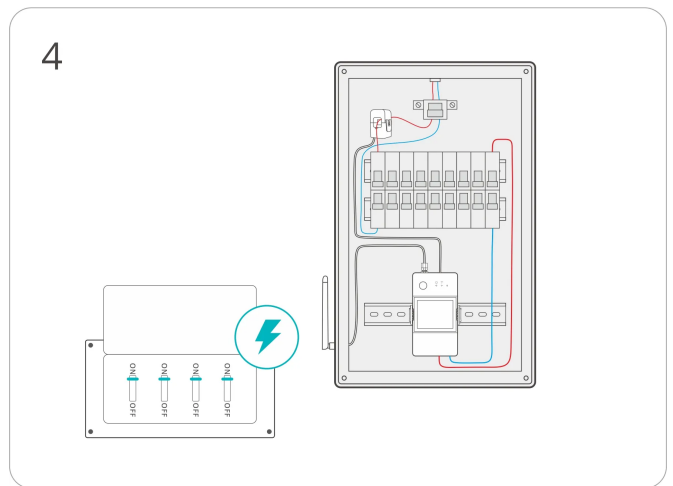
Enter "Scan"



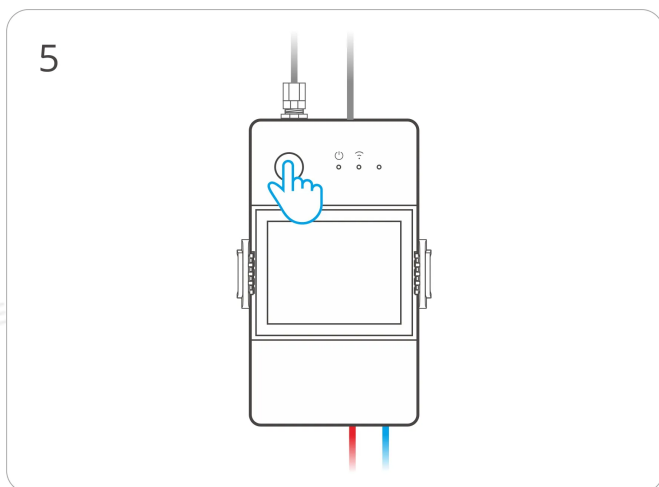
Scan the QR code on the back of the quick guide.



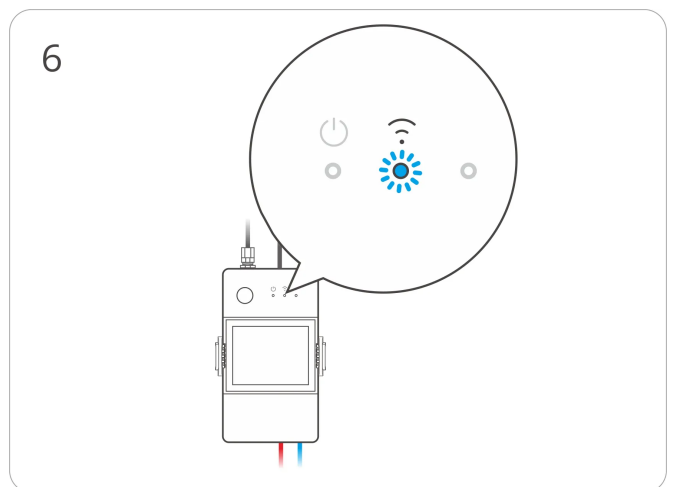
Select "Add Device"



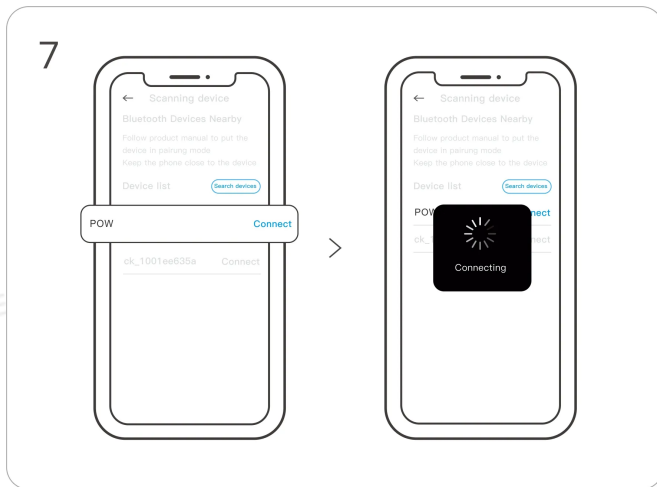
Power on the device



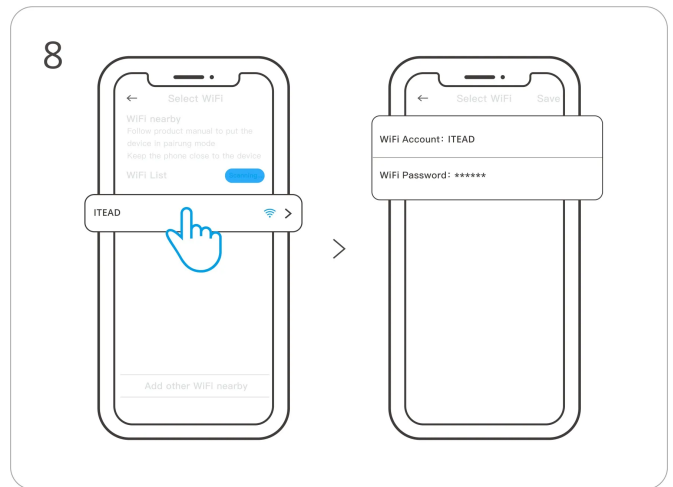
Long press the button for 5 seconds



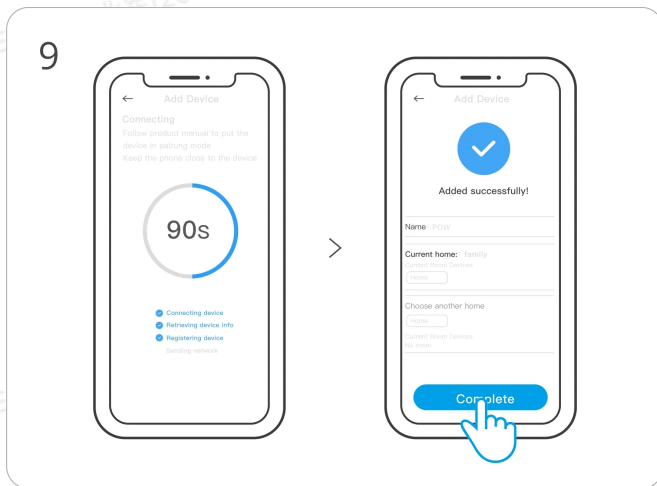
Check Wi-Fi LED indicator flashing status
(Two short and one long flashes)



Search for the device and start connecting

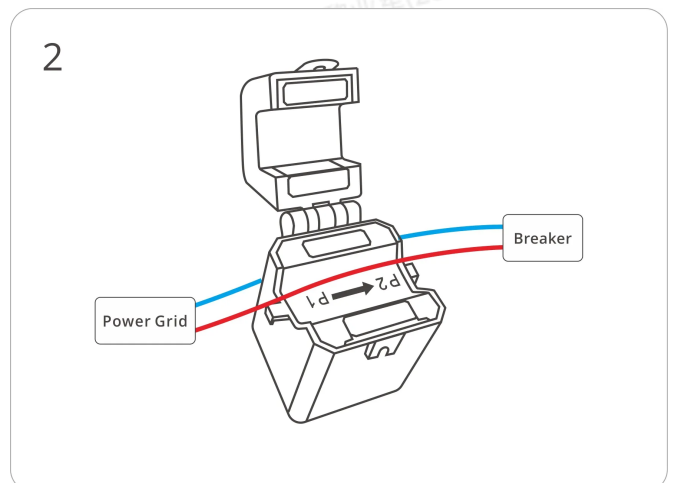
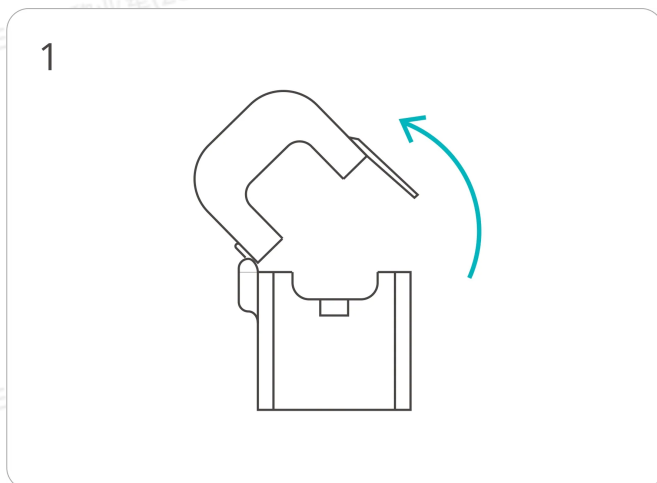


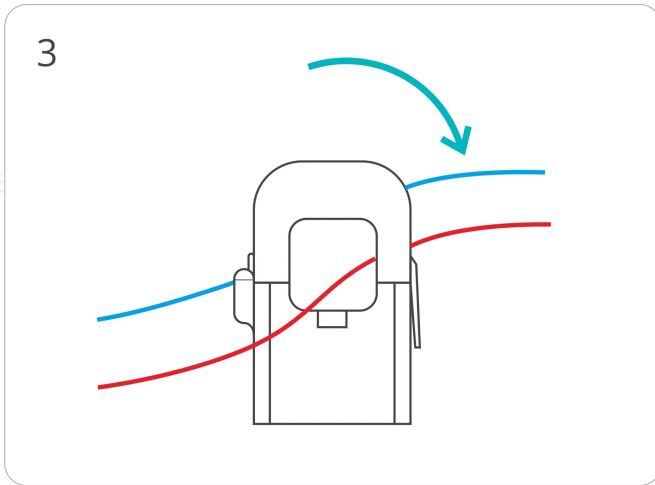
Select the "Wi-Fi" network and enter the password



Device added completely

Test the current direction





The current direction in the line should match the arrow direction on the current transformer (see Figure 2).

Warning: To ensure electrical safety, the current transformer clamp should apply to double-insulated wires.

Device Factory Reset

After "Delete the Device" in the eWeLink App

FCC compliance statement

1. This device complies with part 15 of the FCC Rules. Operation is subject to the following two conditions:

- (1) This device may not cause harmful interference, and
- (2) This device must accept any interference received, including interference that may cause undesired operation.

2. Changes or modifications not expressly approved by the party responsible for compliance could void the user's authority to operate the equipment.

Note: This equipment has been tested and found to comply with the limits for a Class B digital device, pursuant to part 15 of the FCC Rules. These limits are designed to provide reasonable protection against harmful interference in a residential installation. This equipment generates, uses and can radiate radio frequency energy and, if not installed and used in accordance with

the instructions, may cause harmful interference to radio communications. However, there is no guarantee that interference will not occur in a particular installation. If this equipment does cause harmful interference to radio or television reception, which can be determined by turning the equipment off and on, the user is encouraged to try to correct the interference by one or more of the following measures:

- Reorient or relocate the receiving antenna.
- Increase the separation between the equipment and receiver.
- Connect the equipment into an outlet on a circuit different from that to which the receiver is connected.
- Consult the dealer or an experienced radio/TV technician for help.

FCC Radiation Exposure Statement:

This equipment complies with FCC radiation exposure limits set forth for an uncontrolled environment.

This equipment should be installed and operated with minimum distance of 20 cm between the radiator and your body.

This transmitter must not be co-located or operating in conjunction with any other antenna or transmitter.

SAR Warning

Under normal use of condition, this equipment should be kept a separation distance of at least 20cm between the antenna and the body of the user.

Dans des conditions normales d'utilisation, cet équipement doit être maintenu à une distance d'au moins 20 cm entre l'antenne et le corps de l'utilisateur.

EU Declaration of Conformity

Hereby, Shenzhen Sonoff Technologies Co., Ltd declares that the radio equipment type POWCT is in compliance with Directive 2014/53/EU. The full text of the EU declaration of conformity is available at the following internet address: <https://sonoff.tech/compliance/>

For CE frequency

EU Operating Frequency Range:

2402–2480MHz(BLE)

802.11 b/g/n20 2412–2472 MHz(Wi-Fi)

802.11 n40: 2422–2462 MHz(Wi-Fi)

EU Output Power:

BLE≤10dBm

Wi-Fi 2.4G≤20dBm

Scatola	Manuale	Neto	Borsa	Borsa
PAP 21	PAP 22	EVA 7	CPE 7	LDPE 4
Carta	Carta	Plastica	Plastica	Plastica
RACCOLTA DIFFERENZIATA				
Verifica le disposizioni del tuo Comune.				
Separa le componenti e conferiscile in modo corretto.				

WEEE Disposal and Recycling Information



WEEE Disposal and Recycling Information All products bearing this symbol are waste electrical and electronic equipment (WEEE as in directive 2012/19/EU) which should not be mixed with unsorted household waste. Instead, you should protect human health and the environment by handing over your waste equipment to a designated collection point for the recycling of waste electrical and electronic equipment, appointed by the government or local authorities. Correct disposal and recycling will help prevent potential negative consequences to the environment and human health. Please contact the installer or local authorities for more information about the location as well as terms and conditions of such collection points.



Manufacturer: Shenzhen Sonoff Technologies Co., Ltd.

Address: 3F & 6F, Bldg A, No. 663, Bulong Rd, Shenzhen, Guangdong, China

ZIP code: 518000

Service email: support@itead.cc

Website: sonoff.tech

Made in China

