

User Manual S61STPF-PM-O (EN)

[Product Introduction](#)

[Platform Certifications](#)

[Product Specifications](#)

[Powering On](#)

[Matter Ecosystem User Guide](#)

[eWeLink Ecosystem User Guide](#)

[1. Download the eWeLink App](#)

[2. Add the Device](#)

[Factory Reset \(Dual Ecosystem\)](#)

[EU Declaration of Conformity](#)

[For CE frequency](#)

[WEEE Disposal and Recycling Information](#)

[WARNING](#)



Matter over Wi-Fi Smart Plug (EU Standard)

Manual V1.0

Product Introduction

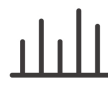
The S61STPF-PM-O is an EU-standard outdoor plug based on Matter over Wi-Fi technology, utilizing a 2.4GHz Wi-Fi connection. This plug features an IP44 protection rating, effectively preventing dust ingress and water splashes from any direction. Before use, please ensure that your load device and its plug have an equivalent waterproof rating. It is suitable for outdoor environments such as gardens, pools, and irrigation systems, providing stable power support.



Matter Compatibility



IP44 Protection Rating



Energy Monitoring



Overload Protection



Overcharge Protection



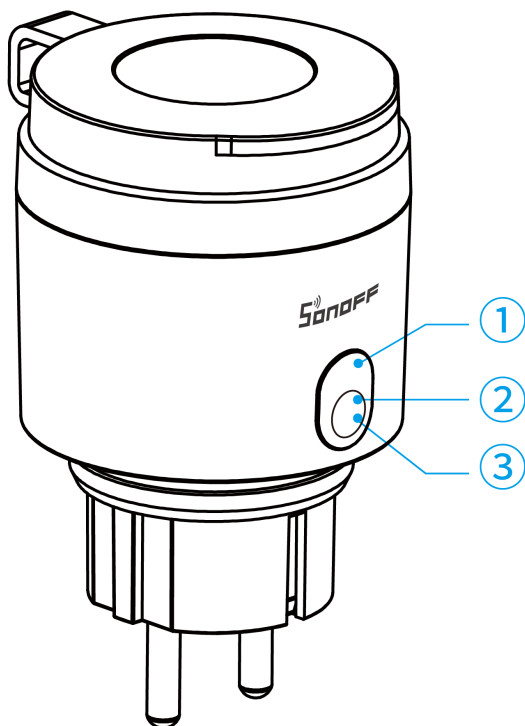
Timer



Smart Scenes



Flame-Retardant Material



① Button

- Short press once: Turn the device on or off
- Long press for 5 seconds: Device enters pairing mode (pairing duration: 10 minutes)

② Wi-Fi LED Indicator (Blue)

eWeLink Mode

- Two short flashes followed by one long flash: Device is in pairing mode
- Constantly off: Device is online
- Single flash: Device is offline
- Double flash: LAN mode

Matter Mode

- Two short flashes followed by one long flash: Device is in pairing mode
- Constantly off: Device is online
- Single flash: Device is offline

③ Power Indicator (Red)

- Light on: Device is on
- Light off: Device is off

Platform Certifications



Product Specifications

S61s Outdoor (Type F)	
Product Series	iPlug Outdoor

Product Name	Matter over Wi-Fi Smart Plug (EU Standard)
Model Number	S61STPF-PM-O
Rating	100-240V~ 50/60Hz 16A Max μ
Max Load	3840W
Wi-Fi	IEEE 802.11 b/g/n 2.4GHz
Net Weight	110g
Product Dimensions	58*58*100mm
Product Color	Gray, Orange
Housing Material	PC
Installation Location	Outdoor
Operating Altitude	Below 2000 meters
Operating Temperature	-20°C~50°C
Product Certifications	CE/RoHS

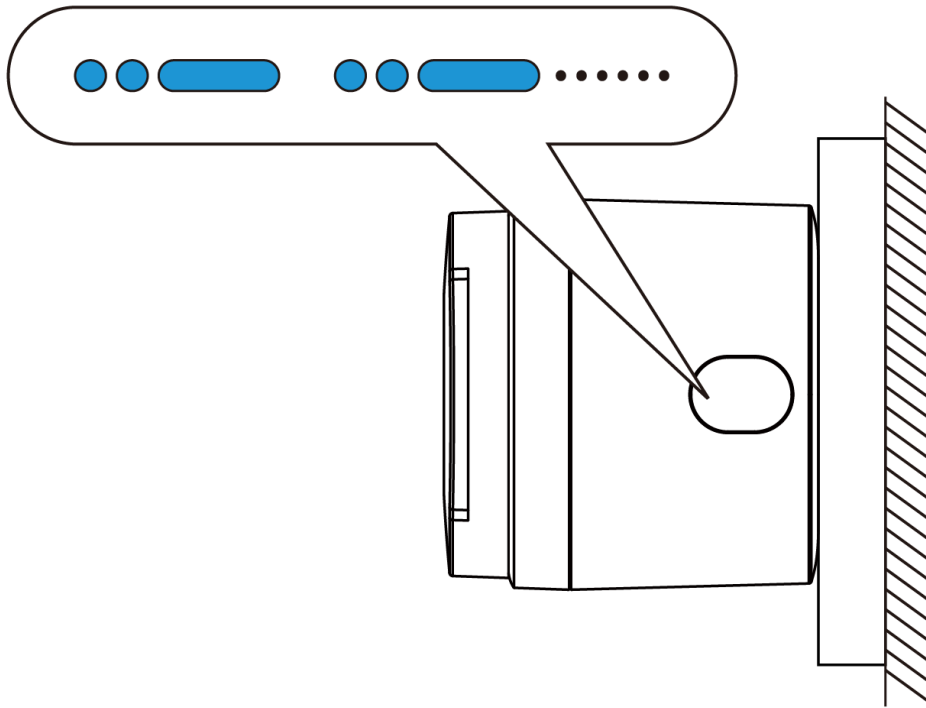


Warning

To ensure electrical installation safety, a miniature circuit breaker (MCB) or residual current operated circuit breaker (RCBO) with a rated current of 16A complying with national safety standards must be installed upstream of the S61STPF-PM-O.

Powering On

When the device is first used, it will enter pairing mode by default after power-on. At this time, the Wi-Fi indicator flashes with "two short flashes followed by one long flash."



ⓘ If pairing is not completed within 10 minutes, the device will exit pairing mode. To re-enter, long-press the device button for 5 seconds until the Wi-Fi indicator flashes with two short flashes followed by one long flash.

Matter Ecosystem User Guide

Open a Matter-compatible App and scan the Matter QR code on the device body to add the device.



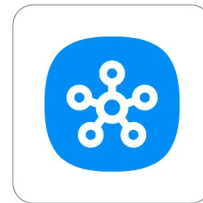
Add to Apple
via Matter



Add to
Google via
Matter



Add to Alexa
via Matter



Add to
SmartThings
via Matter

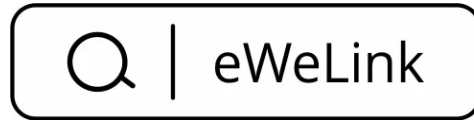


Add to Home
Assistant via
Matter

eWeLink Ecosystem User Guide

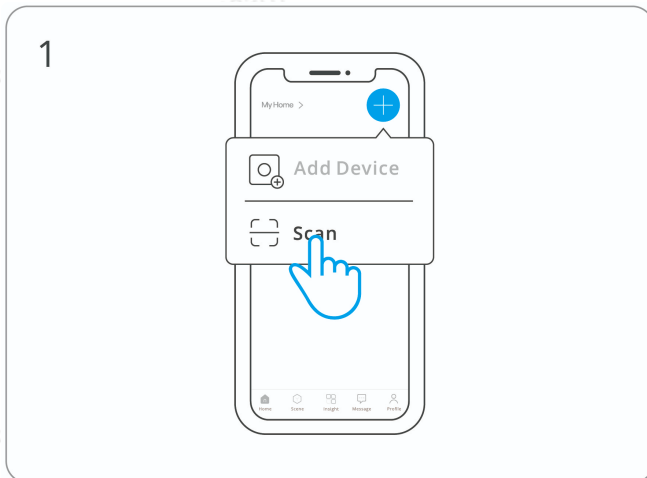
1. Download the eWeLink App

Please download the "eWeLink" App from the Google Play Store or Apple App Store.

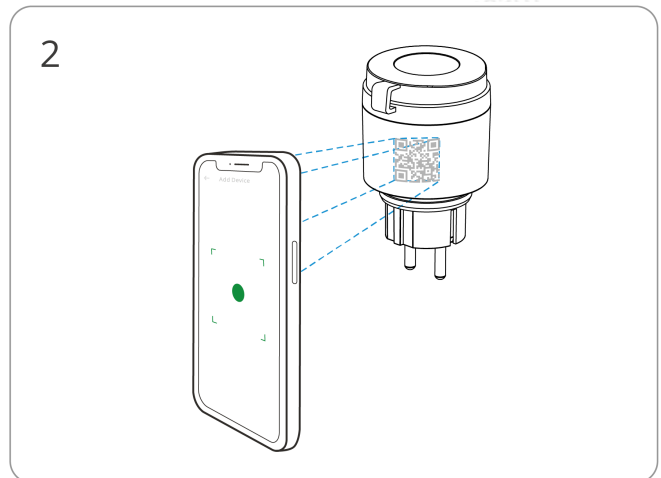


2. Add the Device

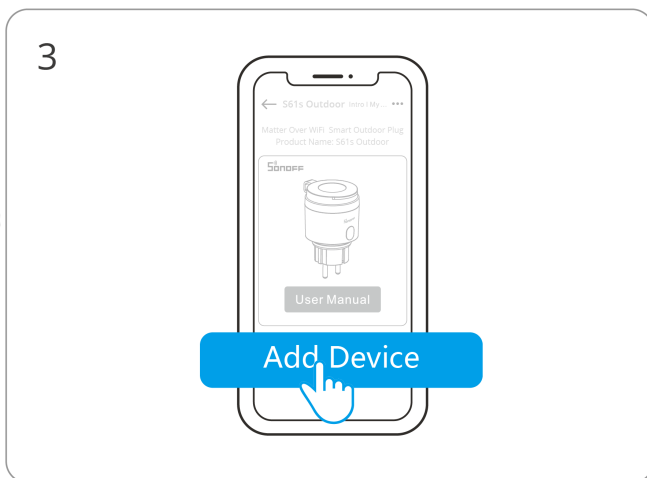
*Phone must connect to 2.4GHz Wi-Fi.



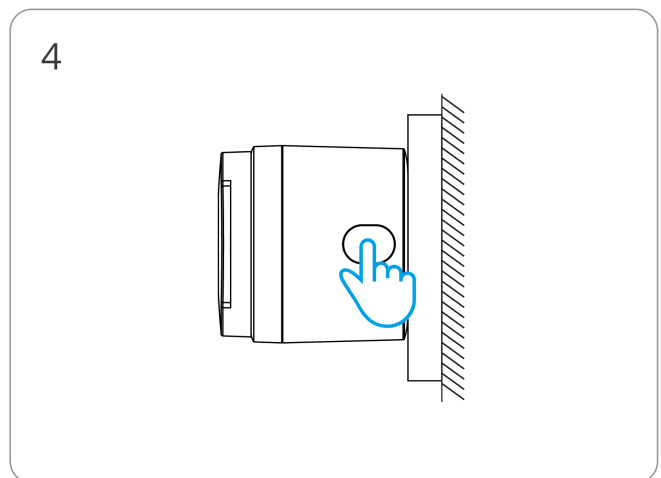
Enter "Scan"



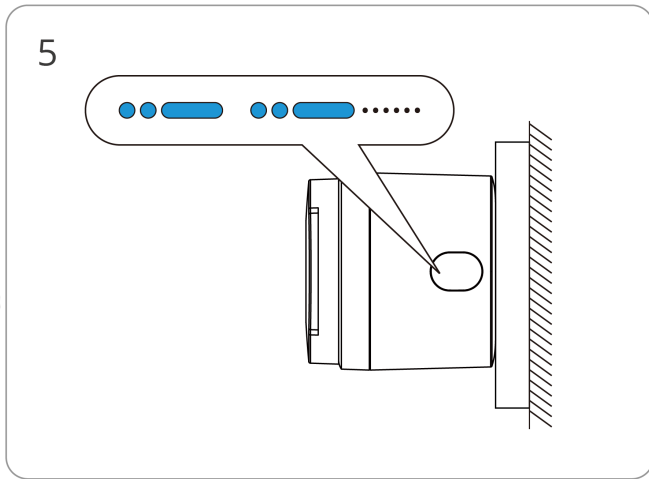
Scan the QR code on the device



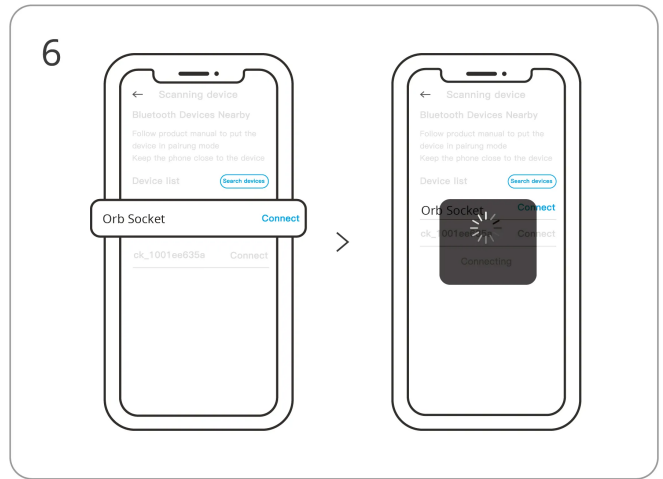
Select "Add Device"



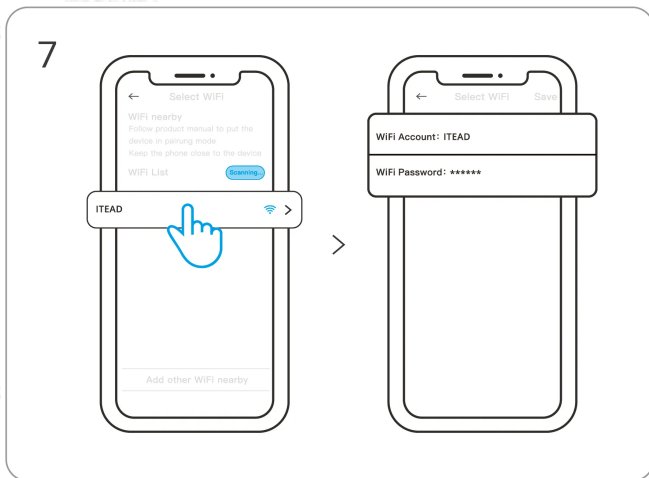
(If the device has exited pairing mode)
Long-press the device button for 5 seconds



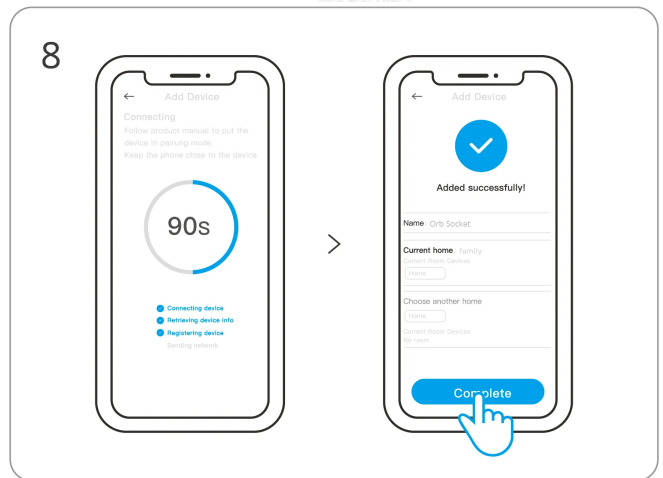
5 Check the Wi-Fi indicator flash status (two shorts, one long)



6 Search for device and connect



7 Select a 2.4GHz Wi-Fi network and enter the password



8 Device added successfully

Factory Reset (Dual Ecosystem)

Trigger conditions (any one condition met)

- After deleting the device in the eWeLink App
- A device that has been successfully paired in eWeLink is successfully paired again using another eWeLink account
- A device that has been successfully paired in Matter is successfully paired again via Matter Bluetooth pairing

Scatola	Manuale
PAP 21	PAP 22
Carta	Carta
RACCOLTA DIFFERENZIATA	
<p>Verifica le disposizioni del tuo Comune.</p> <p>Separa le componenti e conferiscile in modo corretto.</p>	

To ensure the safety of your electrical installation, it's essential either a Miniature Circuit Breaker (MCB) or a Residual Current operated Circuit-breaker with Integral Overcurrent protection(RCBO) with an electrical rating of 16A has been installed before the S61STPF-PM-O.
 Rating:100-240V~50/60Hz 16A Max μ

EU Declaration of Conformity

Hereby, Shenzhen Sonoff Technologies Co., Ltd declares that the radio equipment type S61STPF-PM-O is in compliance with Directive 2014/53/EU. The full text of the EU declaration of conformity is available at the following internet address:

<https://sonoff.tech/compliance/>

For CE frequency

EU Operating Frequency Range

Wi-Fi: 802.11 b/g/n20 2412-2472 MHz

BLE: 2402-2480 MHz

EU Output Power

Wi-Fi 2.4G \leq 20dBm

BLE \leq 10dBm

Under normal use of condition, this equipment should be kept a separation distance of at least 20 cm between the antenna and the body of the user.

WEEE Disposal and Recycling Information



All products bearing this symbol are waste electrical and electronic equipment (WEEE as in directive 2012/19/EU) which should not be mixed with unsorted household waste. Instead, you should protect human health and the environment by handing over your waste equipment to a designated collection point for the recycling of waste electrical and electronic equipment, appointed by the government or local authorities. Correct disposal and recycling will help prevent potential negative consequences to the environment and human health. Please contact the installer or local authorities for more information about the location as well as terms and conditions of such collection points.



WARNING

1. Before use, ensure that your socket/plug has the same waterproof rating as the device.
2. Risk of electric shock, this product is not a toy and not intended for use by children. For adult use only.
3. The appliance is suitable for moderate climates only.
4. The ventilation must not be impaired by covering the appliance with items such as newspapers, table cloths, curtains, etc.
5. Naked flame sources, such as candles, must not be placed on the appliance.

SONOFF

Manufacturer: Shenzhen Sonoff Technologies Co., Ltd.

Address: 3F & 6F, Bldg A, No. 663, Bulong Rd, Shenzhen, Guangdong, 518000, China

Service email: support@itead.cc Website: sonoff.tech

Made in China



FR

Cet appareil se recycle

À DÉPOSER EN MAGASIN



OU

À DÉPOSER EN DÉCHÈTERIE



Points de collecte sur www.quefairedemesdechets.fr
Privilégiez la réparation ou le don de votre appareil !

